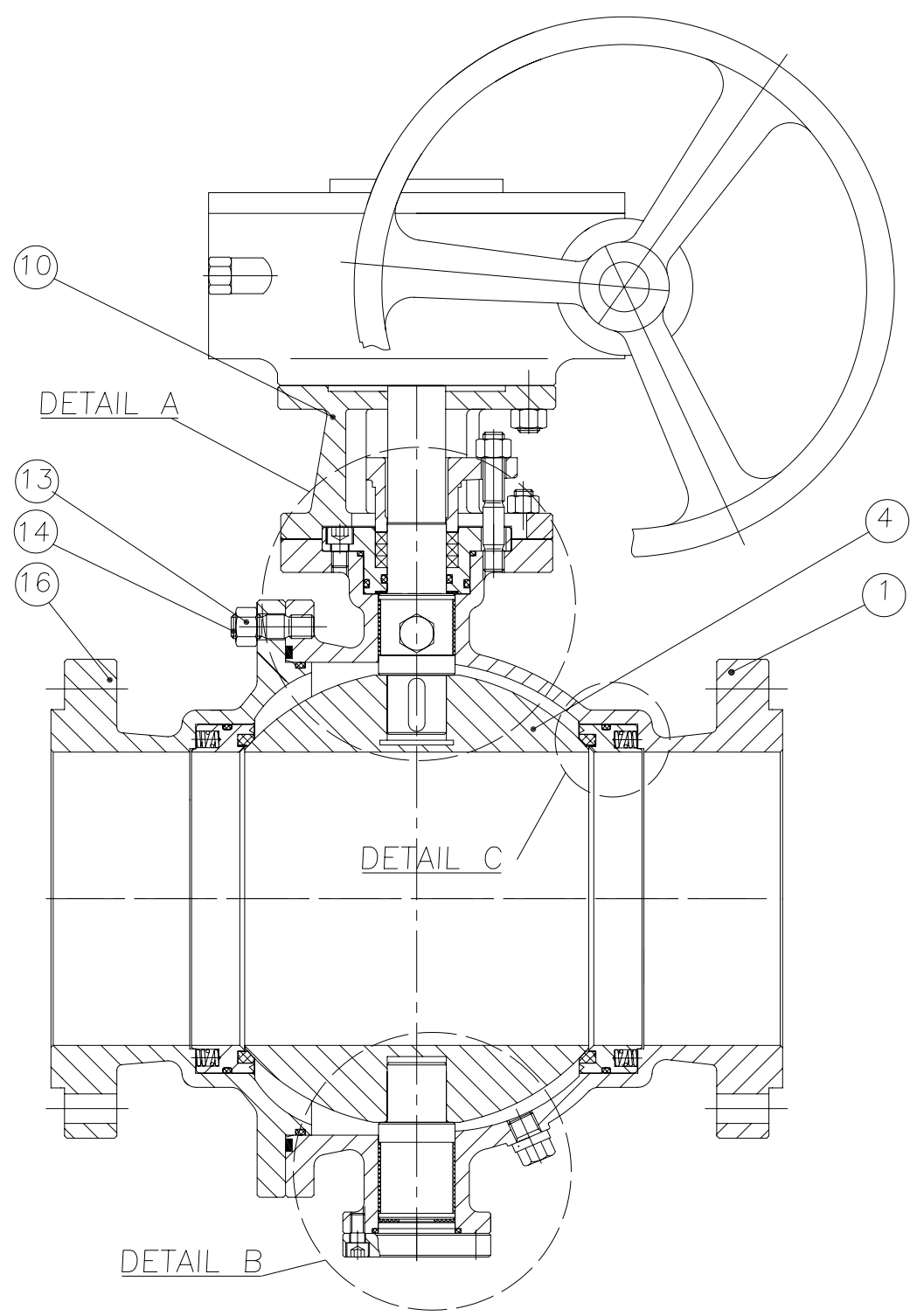
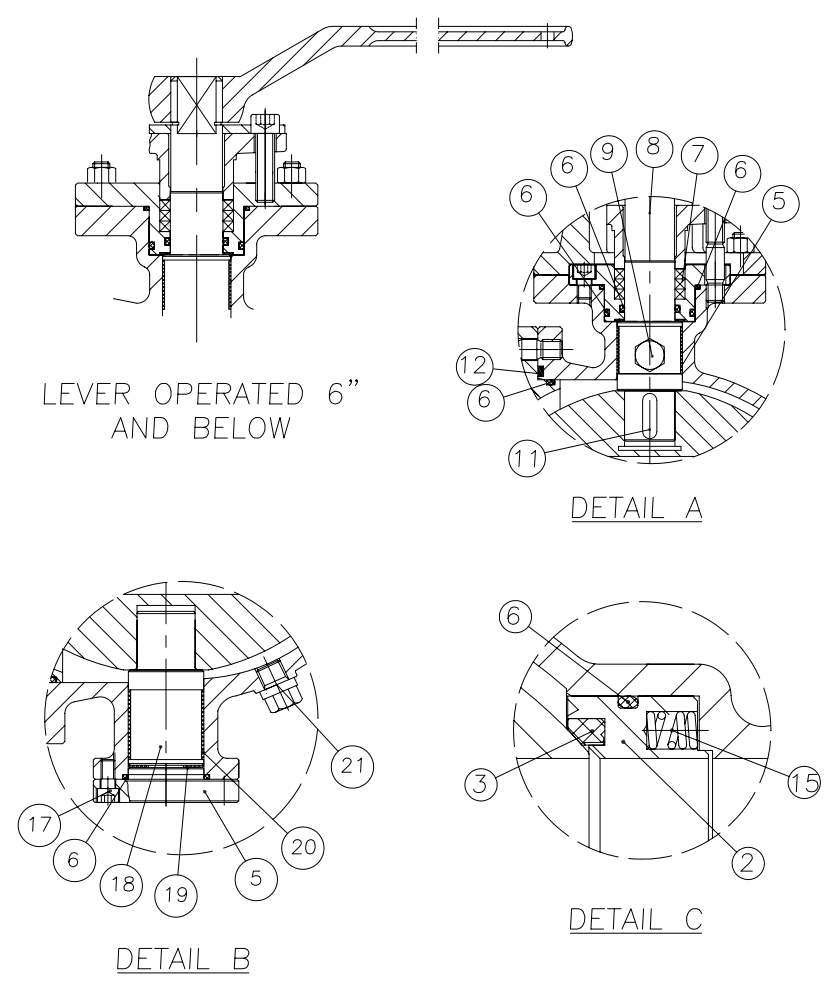


FIRE SAFE DESIGN TO API 607; TEST AND INSPECTION TO API 598; VALVES ARE IN ACCORDANCE WITH NACE MR-01-75 LATEST REV



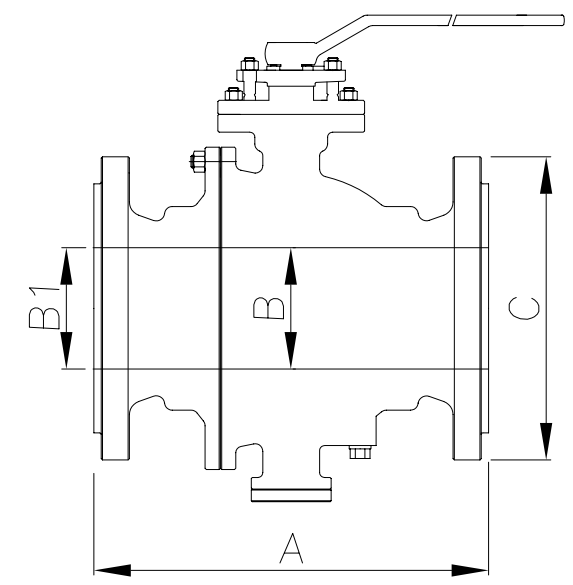
LEVER OPERATED 6" AND BELOW



NO	PART NAME	MATERIAL	NOTES
21	DRAIN VALVE	AISI 1020+Zn	
20	BOTTOM COVER	ASTM A216 WCB/A105	
19	LOWER THRUST WASHER	PTFE	
18	FIXED SPINDLE	A182 F316	
17	SCREW	A193 GR.B7M	
16	BONNET/CLOSURE	ASTM A216 WCB	
15	SPRING	AISI 304 SS	
14	STUD	A193 GR.B7M	
13	NUTS	A194 GR.2HM	
12	GASKET	SS316+GRAPHITE	
11	KEY	A182 F316	
10	SUPPORT	ASTM A216 WCB	
9	VENT VALVE	AISI 1020+Zn	
8	STEM	A182 F316	
7	PACKING	PTFE	
6	O-RING	VITON	
5	SLIDING BEARING	PTFE/STAINLESS STEEL	
4	BALL	AISI 316 SS	
3	SEAT	RPTFE	
2	SEAT CARRIER	A182 F316	
1	BODY	ASTM A216 WCB	

NOTES
1
2
3

Size	A			B	B1	C
	RF	RTJ	WE			
2"	178	190	216	51	51	152
3"	203	216	283	77	77	190
4"	229	241	305	102	102	230
6"	394	406	457	152	152	279.5
8"	457	470	521	203	203	343
10"	533	546	559	254	254	406
12"	610	622	635	305	305	483
14"	686	698	762	337	337	535
16"	762	775	838	387	387	597
18"	864	876	914	438	438	635
20"	914	927	991	489	489	700
24"	1067	1079	1143	591	591	813



DESIGN CODE	API 6D/ANSI B16.34	TEST PRESSURES		
FACE TO FACE DIMENSIONS	ASME B16.10	BODY	30.0	Barg
ENDS FLANGES DIMENSIONS	ASME B16.5	SEAT	22.0	Barg
TESTING CODE	API 598	SEAT - AIR	6.0	Barg

REV	DATE	DESCRIPTION	BY	CHK	APP	SCALE:		
						DRAWN	DM	DATE
						CHECKED	SMN	DATE
						APPROVED	AW	DATE

DRAWING TITLE:  
API 6D, CARBON STEEL CLASS 150  
TRUNNION MOUNTED, RF, BALL VALVE

CLIENT: PETROPIPE INTERNATIONAL

VENDOR PO REF: 2850

EVC REF: 303001

CAD. No. | DRAWING NUMBER: 120001 | REV 01  
AREA No. | FACILITY | TYPE | SEQ. No. | SHF. No.